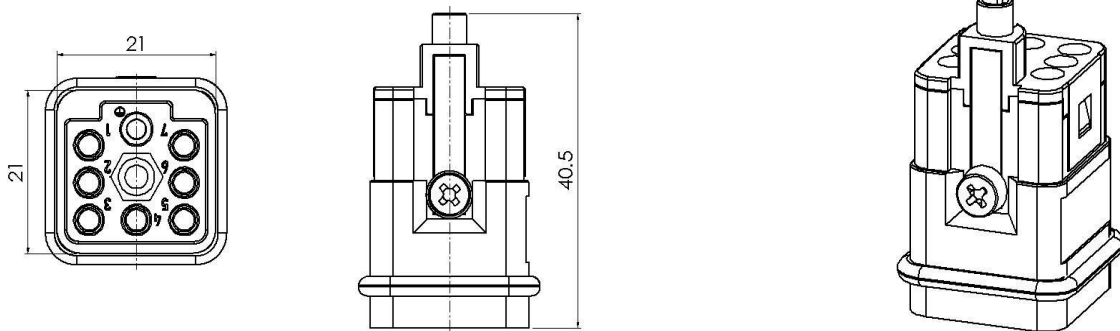


HQ Series, Crimping connection, 7 pin, Male insert



Typecode HQ-007-MC
ID 1 007 03 0000107

Technical Data

Product Properties

Series	HQ
Mating with	H3A
Connection mode	Crimping connection
Gender	Male
Rated voltage	400 V
Rated current	10 A
Rated impulse voltage	6 kV
Mating contact series	10 A(DSM/DGM)
Number of pins	7
Core cross-section/Clamping ability	0.14 ~ 2.5 mm ² / 26 AWG ~ 14 AWG
Grounding conductor	Yes
Pollution degree	3
Insulation resistance	≥10 ¹⁰ Ω
Temperature range	-40 °C ~ +125 °C
Standard	EN 60664-1, IEC 61984

Insert

Material	PC
Colour	Gray (RAL 7032)

Commercial data

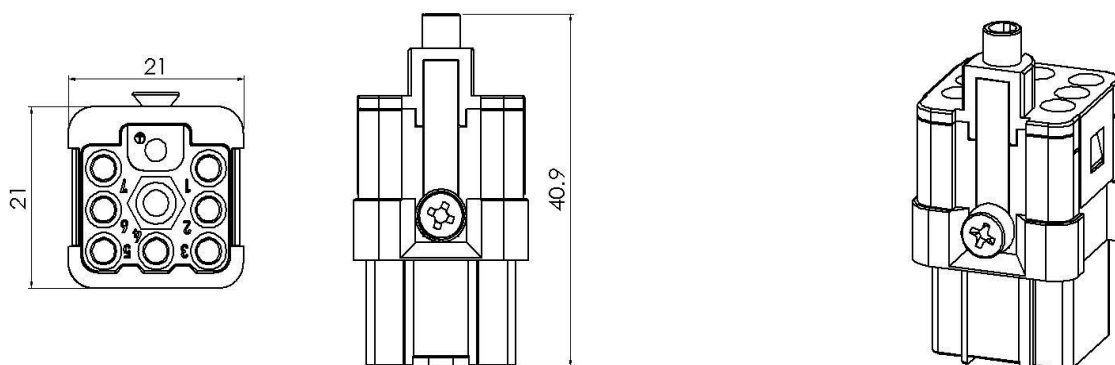
Weight	0.014 kg
Packaging unit	10 pcs
Country of origin	CN

Features

- High quality engineering plastics
- Crimping connection
- ≥500 Mating cycles
- Approval: UL, CE
- RoHS-compliant

*这里所列的是设计数据，有关产品的变更不在此做说明，未尽事宜请联系客服。用户有责任验证功能、符合适用的法律和指令以及在特定应用中的电气安全。

HQ Series, Crimping connection, 7 pin, Female insert



Typecode HQ-007-FC
ID 1 007 03 0000108

Technical Data

Product Properties

Series	HQ
Mating with	H3A
Connection mode	Crimping connection
Gender	Female
Rated voltage	400 V
Rated current	10 A
Rated impulse voltage	6 kV
Mating contact series	10 A(DSM/DGM)
Number of pins	7
Core cross-section/Clamping ability	0.14 ~ 2.5 mm ² / 26 AWG ~ 14 AWG
Grounding conductor	Yes
Pollution degree	3
Insulation resistance	≥ 10 ¹⁰ Ω
Temperature range	-40 °C ~ +125 °C
Standard	EN 60664-1, IEC 61984

Insert

Material	PC
Colour	Gray (RAL 7032)

Commercial data

Weight	0.014 kg
Packaging unit	10 pcs
Country of origin	CN

Features

- High quality engineering plastics
- Crimping connection
- ≥ 500 Mating cycles
- Approval: UL, CE
- RoHS-compliant

*这里所列的是设计数据，有关产品的变更不在此做说明，未尽事宜请联系客服。用户有责任验证功能、符合适用的法律和指令以及在特定应用中的电气安全。